



INDUSTRIAL PROCESS AND
COMMERCIAL VENTILATION SYSTEMS

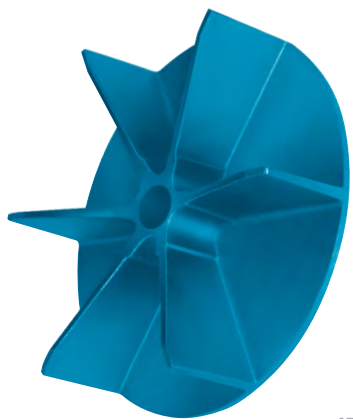
COMPACT DESIGN INDUSTRIAL FANS

MODEL JRW





Arrangement 9
shown with optional
outlet flange



JRW Wheel

Model JRW

Compact Design

The JRW Radial Bladed Fan is designed for industrial process applications such as fume exhaust, drying, air pollution control, combustion air, pneumatic conveying, grinding and buffing exhaust, aeration, and wood-chip, textile fiber stripping and paper handling. The JRW provides maximum strength and rigidity to resist the wear and tear of heavy industrial use.

Sizes (wheel diameters)

8.75 to 15.63 inches

Performance

Airflow to 2,000 CFM

Static pressure to 14 inches w.g.

Arrangements

Available in Arrangements 1, 4, 9, 10

Choice of Wheel Material

Cast Aluminum

- Standard feature on all JRW fans
- Suitable to 250°F maximum
- Lightweight wheel suitable for gases and light particulate, such as fumehood exhaust in research lab applications

Cast Nickel/Aluminum/Bronze Alloy

- Optional feature available at extra charge
- Suitable to 600°F maximum
- Heavyweight wheel suitable for material handling applications like paper-trim, wood-chip and plastic conveying
- This wheel features ASTM alloy mixture B30-74

Typical Applications

- Fume Exhaust
- Drying
- Air Pollution Control
- Combustion Air
- Pneumatic Conveying
- Grinding and Buffing Exhaust
- Aeration
- Wood-chip, Textile Fiber Stripping and Paper Handling



The Rugged, Reliable Wheel Fan for Industrial Applications

The Model JRW fan was developed for reliability, efficiency, durability, ease of maintenance and compactness for today's most demanding industrial applications. Designed for severe duty, the Model JRW features rustproof cast nickel/aluminum/bronze or cast aluminum wheel construction, all with heavy-gauge steel housing. The result is maximum strength and rigidity to resist the wear and tear of heavy industrial use.

The radial blade design of the JRW prevents material build-up for smooth, trouble-free operation. Clogging of airflow passages is minimized by the back plate type wheel design.

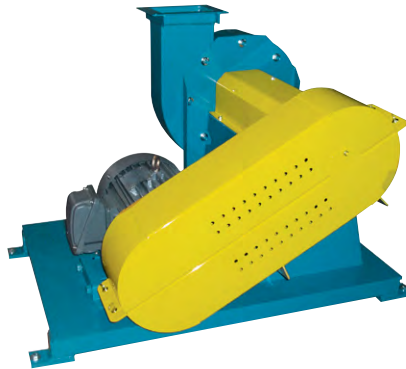
Seven models are available, in wheel sizes from 8³/₄" to 15⁵/₈", to exactly meet your performance requirements. Both direct- and belt-driven fan types are available.

Cast nickel/aluminum/bronze and cast aluminum JRW fans offer a dependable solution for spark resistant applications.

All units are built with an adjustable steel discharge housing which can be field rotated to any of the eight standard positions. Special coatings are available for corrosion-resistance to a variety of chemicals in fumehood applications.

EQUIPMENT & ACCESSORIES

- Access Door
- Shaft Cooler
- Shaft Seals
- Inlet Flange
- Outlet Flange
- Built-in Outlet Damper
- Drains
- Inlet Screens
- Common Bases
- With and Without Isolation
- Square-to-Round Outlet
- Transition with Flange
- Outlet Screens
- OSHA Belt Guards
- Special Coatings
- Insulation Pins
- Weather Covers



Arrangement 1 shown with optional belt guard and unitary base

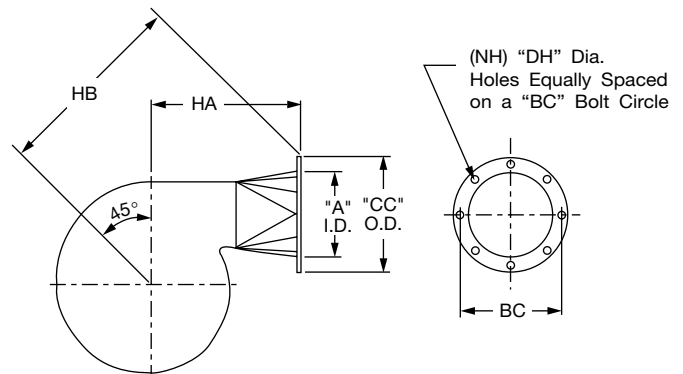


Arrangement 10 shown with optional weather cover

SQUARE-TO-ROUND OUTLET DIMENSIONS

SIZE	A	BC	CC	DH	HA	HB	NH
805F	6	9.5	11	.44	16	18.81	8
806N	6	9.5	11	.44	16	19.56	8
806F	8	11.75	13.5	.44	16	20.44	8
807N	8	11.75	13.5	.44	18	22.56	8
807F	8	11.75	13.5	.44	18	22.56	8
808N	8	11.75	13.5	.44	19.5	24.38	8
809N	8	11.75	13.5	.44	19.5	25.06	8

NOTE: Table illustrates changes in dimensions when units are ordered with optional round outlet.





Arrangement 1



Arrangement 4



Arrangement 9



Arrangement 10

Arrangement 1

This arrangement has an overhung impeller with two bearings mounted on an integral pedestal base. This arrangement is suitable for belt drive with the motor separately mounted. Arrangement 1 fan pictured on the right shows optional lubrication lines, inlet and outlet flanges and spark resistant construction.

Arrangement 4

This direct drive configuration is the most compact arrangement. The impeller is mounted on the motor shaft and the motor bearing supports the wheel. With this arrangement, an integral motor base is provided and this arrangement requires less maintenance due to the absence of belts and pulleys. The motor base is adjustable to accommodate different motor frame sizes. The fan shown on the left has an optional outlet flange.

Arrangement 4VI

This arrangement is designed for vertical, inlet down mounting. It is a compact mounting arrangement used in dust collectors and scrubbers.

Arrangement 9

This arrangement allows motor mounting directly on the bearing pedestal. Fan motor slide bases are provided for field mounting of motor and drive. The unit can be shipped fully assembled and ready to run. Standard motor location is on the left for a clockwise rotation fan and on the right for a counter-clockwise rotation. Arrangement 9 fan pictured on the right shows an optional belt guard and outlet flange.

Arrangement 9F

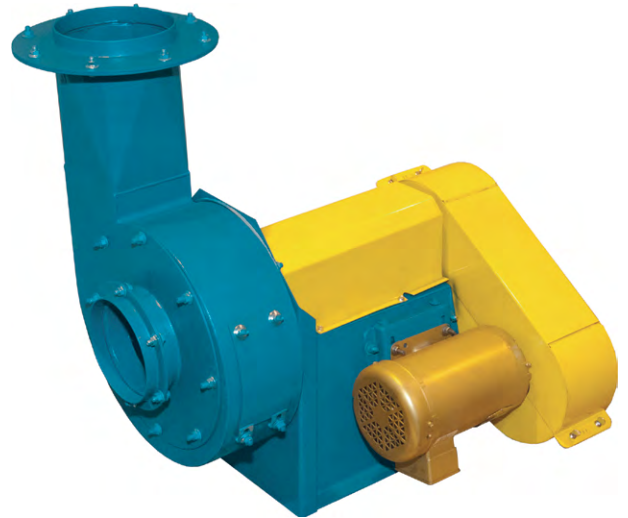
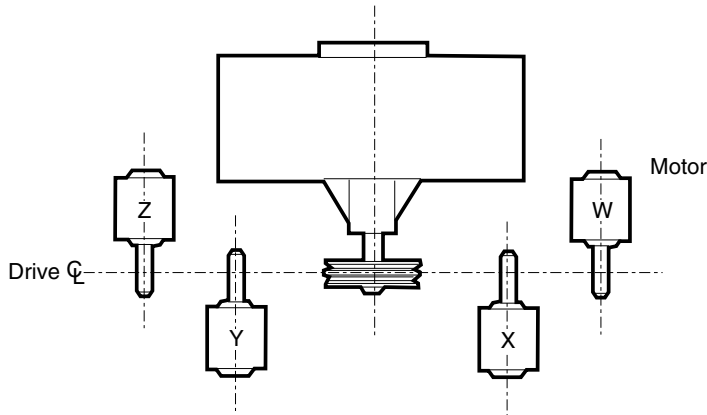
This floor mount arrangement is recommended where a packaged unit is desired but motors are too large to be mounted on the side of the bearing pedestal. In this arrangement a sub-base is provided to allow motor mounting in the horizontal position similar to an Arrangement 1. The base is suitable for direct mounting of vibration isolators or as a rigid mount. Standard motor location is on the left for a clockwise rotation fan and on the right for a counter-clockwise rotation. The fan shown on the left has optional inlet and outlet flanges.

Arrangement 10

Arrangement 10 is suitable for roof or outdoor installations. Weather covers (optional) provide complete protection for motor, shaft, bearings, and drives. Maximum motor sizes allowable in this arrangement are listed on page 15. Larger fan sizes in this arrangement or larger motor sizes for smaller fans may be available upon request from the factory. All usual accessories are available. The fan shown on the left has optional inlet and outlet flanges.

Motor Positions for Belt Drive Centrifugal Fans (Arr. 1 & 9F)

Location of motor is determined by facing the drive side of fan and designating the motor position by letters W, X, Y, or Z, as the case may be. Arrangement #9F is offered in positions W and Z.



Belt Centers — Arrangement 9F, 9 and 10

SIZE	48 FR	56 FR	143T-145T FR	182T-184T FR	213T FR
ARRANGEMENT OF 9F BELT CENTERS (IN INCHES, MIN.-MAX.)					
805F	14.6-17.3	14.1-16.7	14.2-16.8	—	—
806F & 806N	18.1-20.7	17.5-20.1	17.6-20.2	16.3-19.0	—
807F & 807N	19.2-21.8	16.6-21.3	18.7-21.3	17.4-20.1	—
808N	20.6-23.3	20.1-22.8	20.2-22.8	18.9-21.6	—
809N	23.8-26.5	23.4-26.0	23.4-26.1	22.1-24.8	21.0-23.8
ARRANGEMENT 9 BELT CENTERS (IN INCHES, MIN.-MAX.)					
805F	9.1-10.9	9.3-11.1	9.3-11.1	—	—
806F & 806N	10.0-12.1	10.3-12.4	10.3-12.4	11.3-13.1	—
807F & 807N	10.4-12.5	10.7-12.9	10.7-12.9	11.5-13.4	—
808N	10.7-13.0	11.0-13.2	11.0-13.2	11.9-14.0	—
809N	11.2-13.6	11.6-13.3	11.6-13.3	12.6-14.7	—
ARRANGEMENT 10 BELT CENTERS (IN INCHES, MIN.-MAX.)					
805F	7.5- 9.0	7.0- 8.2	7.0- 8.2	—	—
806F & 806N	7.5- 9.0	7.0- 8.2	7.0- 8.2	—	—
807F & 807N	7.5- 9.0	7.0- 8.2	7.0- 8.2	—	—
808N	10.0-11.7	9.5-11.2	9.5-11.2	8.8-10.5	—
809N	10.0-11.7	9.5-11.2	9.5-11.2	8.8-10.5	—

Wheel Inertias (WR²), Wheel Weights

CAST ALUMINUM				CAST NICKEL/ALUMINUM/BRONZE			
FAN SIZE	WR ² (LB-FT) ²	WHEEL WEIGHT (LBS.)	MAX. RPM	FAN SIZE	WR ² (LB-FT) ²	WHEEL WEIGHT (LBS.)	MAX. RPM
805F	0.18	3.28	4550	805F	0.54	9.36	4550
806N	0.35	4.41	4577	806N	1.01	12.6	4577
806F	0.40	5.11	4600	806F	1.15	14.6	4600
807N	0.62	5.81	4562	807N	1.77	16.6	4562
807F	0.74	6.84	4585	807F	2.12	19.7	4585
808N	1.00	7.31	4204	808N	2.88	20.9	4204
809N	1.50	8.57	3762	809N	4.31	24.5	3762

Bare Fan Weights*

FAN SIZE	ARRANGEMENTS						
	1	4	4HI	4VI	9	9F	10
805F	101	95	95	95	106	110	96
806F	113	107	107	107	118	124	108
806N	113	107	107	107	118	124	108
807F	120	114	114	114	126	132	116
807N	120	114	114	114	126	132	116
808N	157	149	149	149	164	172	153
809N	196	186	186	186	205	215	188

* Fan weights are for standard cast aluminum wheel. Weights do not include the motor weight.

Bearing Information (All Belt Driven Fans)

FAN SIZE	BEARING TYPE	BEARING SIZE (in.)
805F	SDB	1
806F	SDB	1
806N	SDB	1
807F	SDB	1.19
807N	SDB	1.19
808N	SDB	1.19
809N	SDB	1.19

SDB = Standard Duty Ball Bearing

SPARK RESISTANT CONSTRUCTION

TYPE	CONSTRUCTION
A	All parts of the fan in contact with the air or gas being handled shall be made of nonferrous material. Steps must also be taken to assure that the impeller, bearings and shaft are adequately attached and/or restrained to prevent a lateral or axial shift in these components.
B	The fan shall have a nonferrous impeller and nonferrous ring about the opening through which the shaft passes. Ferrous hubs, shafts, and hardware are allowed provided construction is such that a shift of impeller or shaft will not permit two ferrous parts of the fan to rub or strike. Steps must also be taken to assure that the impeller, bearings, and shaft are adequately attached and/or restrained to prevent a lateral or axial shift in these components.
C	The fan shall be so constructed that a shift of the impeller or shaft will not permit two ferrous parts of the fan to rub or strike.
NOTES:	
<ol style="list-style-type: none"> No bearings, drive components or electrical device shall be placed in the air or gas stream unless they are constructed or enclosed in such a manner that failure of that component cannot ignite the surrounding gas stream. The user shall electrically ground all fan parts. For this Standard, nonferrous material shall be any material with less than 5% iron or any other material with demonstrated ability to be spark resistant. The use of aluminum or aluminum alloys in the presence of steel which has been allowed to rust requires special consideration. Research by the U.S. Bureau of Mines and others has shown that aluminum impellers rubbing on rusty steel may cause high intensity sparking. <p>The use of the above Standard in no way implies a guarantee of safety for any level of spark resistance. "Spark resistant construction also does not protect against ignition of explosive gases caused by catastrophic failure or from any airstream material that may be present in a system."</p>	

Direct Drive, Arrangement 4

Performance Ratings at 1750 RPM

FAN SIZE		STATIC PRESSURE (IN. W.G.)															
		1/4	1/2	3/4	1	1-1/4	1-1/2	1-3/4	2	2-1/4	2-1/2	2-3/4	3	3-1/4	3-1/2	3-3/4	4
805F	CFM	340	290	240	180	85	—	—	—	—	—	—	—	—	—	—	—
	BHP	0.10	0.08	0.07	0.06	0.03	—	—	—	—	—	—	—	—	—	—	—
806N	CFM	440	400	360	310	260	210	130	—	—	—	—	—	—	—	—	—
	BHP	0.18	0.16	0.15	0.13	0.11	0.10	0.06	—	—	—	—	—	—	—	—	—
806F	CFM	610	560	500	430	370	290	180	—	—	—	—	—	—	—	—	—
	BHP	0.25	0.23	0.20	0.17	0.16	0.13	0.09	—	—	—	—	—	—	—	—	—
807N	CFM	610	570	540	490	450	400	350	300	230	100	—	—	—	—	—	—
	BHP	0.33	0.31	0.30	0.27	0.25	0.22	0.20	0.18	0.15	0.08	—	—	—	—	—	—
807F	CFM	990	930	870	800	720	650	570	480	370	170	—	—	—	—	—	—
	BHP	0.54	0.51	0.48	0.44	0.40	0.37	0.33	0.29	0.24	0.13	—	—	—	—	—	—
808N	CFM	820	790	750	700	660	620	570	530	480	430	370	290	180	—	—	—
	BHP	0.58	0.56	0.53	0.50	0.47	0.45	0.41	0.39	0.36	0.33	0.30	0.24	0.17	—	—	—
809N	CFM	980	950	920	880	840	800	760	720	680	630	590	540	490	430	370	290
	BHP	0.89	0.86	0.83	0.80	0.77	0.74	0.71	0.67	0.64	0.60	0.57	0.53	0.49	0.44	0.39	0.33

Performance Ratings at 3500 RPM

FAN SIZE		STATIC PRESSURE (IN. W.G.)															
		1	2	3	4	5	6	7	8	9	10	11	12	13	14	15	16
805F	CFM	680	580	480	360	170	—	—	—	—	—	—	—	—	—	—	—
	BHP	0.75	0.66	0.55	0.44	0.25	—	—	—	—	—	—	—	—	—	—	—
806N	CFM	890	820	740	650	550	450	310	—	—	—	—	—	—	—	—	—
	BHP	1.50	1.40	1.30	1.10	1.00	0.8	0.6	—	—	—	—	—	—	—	—	—
806F	CFM	1240	1140	1030	900	770	630	440	—	—	—	—	—	—	—	—	—
	BHP	2.10	1.90	1.80	1.60	1.40	1.20	0.90	—	—	—	—	—	—	—	—	—
807N	CFM	1250	1180	1100	1020	930	830	740	640	520	330	—	—	—	—	—	—
	BHP	2.80	2.60	2.50	2.30	2.10	1.90	1.80	1.60	1.30	1.00	—	—	—	—	—	—
807F	CFM	2000	1900	1770	1630	1500	1350	1190	1030	840	530	—	—	—	—	—	—
	BHP	4.50	4.20	4.00	3.70	3.40	3.10	2.80	2.50	2.20	1.50	—	—	—	—	—	—
808N	CFM	1670	1600	1530	1450	1370	1280	1190	1090	990	900	790	660	480	—	—	—
	BHP	4.90	4.70	4.50	4.30	4.10	3.80	3.60	3.30	3.10	2.90	2.60	2.30	1.80	—	—	—
809N	CFM	1960	1890	1830	1760	1680	1610	1530	1450	1370	1280	1190	1090	1000	890	770	600
	BHP	7.20	6.90	6.70	6.40	6.20	6.00	5.70	5.40	5.20	4.90	4.60	4.30	4.00	3.70	3.30	2.70

Belt Driven

Size 805F

Outlet Area: .14 sq. ft.

Wheel Dia.: 8.75"

Tip Speed: 2.29 x RPM

CFM	OV	STATIC PRESSURE (IN. W.G.)																	
		.5		1		2		3		4		5		6		7		8	
		RPM	BHP	RPM	BHP	RPM	BHP	RPM	BHP	RPM	BHP	RPM	BHP	RPM	BHP	RPM	BHP	RPM	BHP
84	600	1125	0.01	1544	0.02	2155	0.05												
98	700	1151	0.01	1560	0.03	2165	0.06	2637	0.09										
112	800	1181	0.02	1580	0.03	2177	0.06	2645	0.10	3044	0.14								
126	900	1213	0.02	1604	0.04	2192	0.07	2656	0.11	3052	0.15	3404	0.20						
140	1000	1249	0.02	1631	0.04	2209	0.08	2669	0.12	3062	0.16	3412	0.21	3730	0.26				
168	1200	1325	0.02	1692	0.05	2250	0.09	2701	0.14	3088	0.19	3433	0.24	3748	0.29	4038	0.35	4310	0.41
196	1400	1407	0.03	1761	0.06	2302	0.11	2739	0.16	3121	0.22	3462	0.28	3772	0.33	4060	0.39	4329	0.45
224	1600	1493	0.04	1836	0.07	2361	0.13	2788	0.19	3160	0.25	3495	0.31	3803	0.38	4087	0.44	4354	0.51
252	1800	1584	0.05	1915	0.09	2427	0.15	2844	0.22	3207	0.29	3535	0.35	3838	0.42	4120	0.49	4383	0.57
280	2000	1680	0.06	1998	0.11	2497	0.18	2905	0.25	3261	0.32	3583	0.40	3879	0.47	4156	0.55	4417	0.63
308	2200	1778	0.07	2084	0.13	2572	0.20	2971	0.28	3320	0.36	3636	0.44	3927	0.52	4199	0.60	4455	0.69
336	2400	1878	0.09	2174	0.15	2650	0.23	3040	0.32	3383	0.40	3694	0.49	3980	0.58	4248	0.67	4500	0.76
364	2600	1981	0.11	2266	0.18	2731	0.26	3114	0.35	3451	0.45	3756	0.54	4037	0.64	4302	0.73	4550	0.83
420	3000	2193	0.13	2459	0.24	2899	0.34	3270	0.44	3595	0.54	3890	0.65	4164	0.76	4420	0.87		
476	3400	2415	0.19	2660	0.32	3077	0.43	3434	0.54	3750	0.66	4037	0.78	4302	0.89	4551	1.01		
532	3800	2646	0.26	2865	0.41	3263	0.54	3605	0.66	3913	0.79	4193	0.92	4451	1.05				
588	4200	2881	0.45	3078	0.52	3457	0.66	3785	0.80	4082	0.94	4355	1.08						
644	4600	3119	0.58	3298	0.65	3656	0.81	3971	0.96	4257	1.12	4522	1.27						
700	5000	3361	0.74	3525	0.81	3859	0.98	4163	1.15	4439	1.31								
456	5400	3604	0.91	3757	0.99	4065	1.17	4360	1.36										
812	5800	3850	1.12	3991	1.20	4277	1.38	4561	1.59										
868	6200	4096	1.36	4229	1.44	4495	1.63												

Size 806N

Outlet Area: .16 sq. ft.

Wheel Dia.: 10.5"

Tip Speed: 2.75 x RPM

CFM	OV	STATIC PRESSURE (IN. W.G.)																	
		.5		1		2		3		4		6		8		10		12	
		RPM	BHP	RPM	BHP	RPM	BHP	RPM	BHP	RPM	BHP	RPM	BHP	RPM	BHP	RPM	BHP	RPM	BHP
96	600	949	0.03	1295	0.03	1801	0.06												
112	700	975	0.03	1312	0.03	1812	0.06	2203	0.10										
128	800	1005	0.04	1331	0.04	1825	0.07	2212	0.11	2543	0.15								
144	900	1038	0.04	1355	0.04	1840	0.08	2224	0.12	2552	0.17	3109	0.27						
160	1000	1072	0.05	1382	0.05	1857	0.09	2238	0.14	2563	0.18	3116	0.29	3588	0.41				
192	1200	1145	0.06	1443	0.06	1899	0.11	2270	0.16	2591	0.22	3137	0.33	3602	0.45	4016	0.59		
224	1400	1225	0.07	1511	0.07	1950	0.13	2309	0.19	2623	0.25	3163	0.38	3624	0.51	4033	0.66	4406	0.81
256	1600	1307	0.09	1583	0.09	2010	0.15	2357	0.22	2663	0.29	3193	0.43	3650	0.58	4055	0.73	4425	0.89
288	1800	1393	0.11	1660	0.11	2075	0.18	2413	0.25	2710	0.33	3229	0.48	3680	0.64	4082	0.81	4448	0.98
320	2000	1483	0.13	1740	0.13	2144	0.21	2475	0.29	2763	0.37	3270	0.54	3713	0.71	4112	0.90	4475	1.08
352	2200	1575	0.16	1823	0.16	2216	0.24	2540	0.33	2823	0.42	3318	0.60	3753	0.79	4145	0.98	4506	1.18
384	2400	1670	0.19	1907	0.19	2291	0.28	2608	0.37	2887	0.47	3371	0.67	3797	0.87	4183	1.07	4539	1.28
416	2600	1768	0.23	1994	0.23	2369	0.32	2679	0.42	2953	0.53	3429	0.74	3846	0.95	4226	1.17	4577	1.39
480	3000	1971	0.31	2176	0.31	2531	0.42	2829	0.54	3093	0.65	3555	0.89	3959	1.13	4325	1.38		
544	3400	2182	0.41	2365	0.41	2700	0.54	2988	0.67	3242	0.80	3690	1.06	4085	1.33	4440	1.61		
608	3800	2398	0.53	2561	0.53	2875	0.68	3152	0.83	3399	0.97	3834	1.26	4218	1.56	4566	1.86		
672	4200	2618	0.69	2765	0.69	3058	0.85	3322	1.02	3562	1.18	3984	1.49	4359	1.81				
736	4600	2841	0.87	2975	0.87	3245	1.05	3497	1.23	3729	1.41	4141	1.75	4506	2.10				
800	5000	3065	1.09	3189	1.09	3437	1.27	3678	1.47	3901	1.66	4303	2.05						
864	5400	3291	1.34	3406	1.34	3635	1.53	3864	1.74	4078	1.96	4469	2.37						
928	5800	3519	1.63	3625	1.63	3838	1.83	4053	2.05	4260	2.29								
992	6200	3747	1.96	3847	1.96	4046	2.17	4247	2.40	4445	2.65								

Size 806F

Outlet Area: .2 sq. ft.

Wheel Dia.: 10.5"

Tip Speed: 2.75 x RPM

CFM	OV	STATIC PRESSURE (IN. W.G.)																	
		.5		1		2		3		4		6		8		10		12	
		RPM	BHP	RPM	BHP	RPM	BHP	RPM	BHP	RPM	BHP	RPM	BHP	RPM	BHP	RPM	BHP	RPM	BHP
120	600	937	0.02	1287	0.03	1796	0.07												
140	700	957	0.02	1301	0.04	1804	0.08	2198	0.13										
160	800	981	0.02	1316	0.04	1815	0.09	2205	0.14	2538	0.20								
180	900	1008	0.03	1335	0.05	1827	0.10	2214	0.16	2544	0.22								
200	1000	1037	0.03	1356	0.06	1841	0.11	2225	0.17	2553	0.23	3109	0.37						
240	1200	1100	0.04	1406	0.07	1873	0.13	2251	0.20	2575	0.27	3124	0.42	3593	0.59				
280	1400	1168	0.05	1463	0.09	1914	0.16	2282	0.24	2602	0.32	3145	0.48	3609	0.66	4021	0.85	4396	1.05
320	1600	1240	0.07	1524	0.11	1962	0.19	2320	0.27	2632	0.36	3170	0.54	3630	0.73	4038	0.93	4410	1.15
360	1800	1316	0.09	1589	0.13	2017	0.22	2364	0.31	2669	0.41	3199	0.61	3654	0.82	4059	1.03	4428	1.25
400	2000	1395	0.11	1658	0.15	2075	0.25	2414	0.35	2711	0.46	3231	0.67	3682	0.90	4084	1.13	4450	1.37
440	2200	1476	0.13	1731	0.18	2135	0.29	2469	0.40	2759	0.51	3268	0.75	3712	0.99	4111	1.24	4475	1.50
480	2400	1559	0.16	1806	0.22	2199	0.33	2526	0.45	2811	0.57	3310	0.82	3747	1.08	4141	1.35	4502	1.62
520	2600	1644	0.19	1882	0.25	2266	0.37	2586	0.50	2867	0.63	3356	0.90	3786	1.18	4174	1.46	4532	1.75
600	3000	1819	0.27	2042	0.34	2407	0.48	2713	0.62	2985	0.77	3460	1.07	3874	1.39	4252	1.71	4600	2.03
680	3400	2003	0.36	2208	0.45	2556	0.61	2850	0.77	3112	0.93	3574	1.27	3978	1.61	4342	1.97		
760	3800	2194	0.49	2378	0.58	2710	0.77	2994	0.94	3246	1.12	3695	1.48	4091	1.87	4447	2.25		
840	4200	2388	0.64	2554	0.73	2870	0.95	3144	1.14	3389	1.34	3823	1.73	4209	2.14	4559	2.57		
920	4600	2585	0.82	2736	0.92	3035	1.15	3298	1.37	3536	1.59	3957	2.01	4334	2.45				
1000	5000	2785	1.04	2923	1.14	3203	1.39	3457	1.63	3687	1.87	4098	2.33	4464	2.80				
1080	5400	2986	1.29	3115	1.40	3374	1.66	3620	1.93	3843	2.19	4244	2.69	4600	3.19				
1160	5800	3189	1.58	3309	1.70	3549	1.96	3786	2.26	4002	2.54	4393	3.09						
1240	6200	3393	1.91	3505	2.03	3729	2.31	3955	2.62	4165	2.93	4546	3.52						

Size 807N

Outlet Area: .19 sq. ft.

Wheel Dia.: 12.25"

Tip Speed: 3.21 x RPM

CFM	OV	STATIC PRESSURE (IN. W.G.)																	
		.5		1		2		3		4		6		8		10		12	
		RPM	BHP	RPM	BHP	RPM	BHP	RPM	BHP	RPM	BHP	RPM	BHP	RPM	BHP	RPM	BHP	RPM	BHP
114	600	816	0.02	1111	0.03	1544	0.07	1883	0.11										
133	700	828	0.02	1126	0.04	1554	0.08	1889	0.12	2174	0.17								
152	800	864	0.02	1144	0.04	1565	0.09	1897	0.13	2181	0.08								
171	900	892	0.03	1164	0.05	1578	0.10	1908	0.15	2189	0.20	2665	0.32						
190	1000	923	0.03	1188	0.06	1593	0.11	1919	0.16	2198	0.22	2672	0.34	3076	0.48				
228	1200	987	0.04	1241	0.07	1631	0.13	1948	0.19	2222	0.26	2690	0.39	3089	0.54	3443	0.69	3766	0.87
266	1400	1056	0.06	1300	0.09	1676	0.15	1984	0.22	2251	0.30	2713	0.45	3107	0.61	3458	0.77	3778	0.95
304	1600	1128	0.07	1364	0.11	1728	0.18	2026	0.26	2287	0.34	2740	0.51	3130	0.69	3478	0.87	3795	1.05
342	1800	1203	0.09	1431	0.13	1785	0.22	2075	0.30	2329	0.39	2771	0.57	3157	0.77	3501	0.96	3815	1.17
380	2000	1281	0.12	1500	0.16	1845	0.25	2128	0.35	2376	0.44	2809	0.64	3187	0.85	3528	1.07	3839	1.28
418	2200	1362	0.14	1572	0.19	1909	0.29	2185	0.39	2427	0.50	2851	0.72	3222	0.94	3557	1.17	3866	1.41
456	2400	1444	0.17	1646	0.23	1974	0.34	2245	0.45	2482	0.56	2898	0.79	3262	1.03	3592	1.28	3895	1.53
494	2600	1529	0.21	1722	0.27	2042	0.39	2307	0.51	2540	0.63	2948	0.88	3306	1.13	3630	1.39	3929	1.66
570	3000	1706	0.30	1881	0.37	2													

Size 807F

Outlet Area: .27 sq. ft.

Wheel Dia.: 12.25"

Tip Speed: 3.21 x RPM

CFM	OV	STATIC PRESSURE (IN. W.G.)																	
		.5		1		2		3		4		6		8		10		12	
		RPM	BHP	RPM	BHP	RPM	BHP	RPM	BHP	RPM	BHP	RPM	BHP	RPM	BHP	RPM	BHP	RPM	BHP
162	600	802	<u>0.02</u>	1103	0.05	1540	0.10												
189	700	819	0.03	1114	0.05	1546	0.11	1884	0.18										
216	800	840	0.03	<u>1127</u>	<u>0.06</u>	1555	0.12	1889	0.19	2175	0.27								
243	900	862	0.04	1143	0.07	1565	0.14	1897	0.21	2180	0.29								
270	1000	887	0.04	1161	0.08	<u>1576</u>	<u>0.15</u>	1906	0.23	2187	0.32	2665	0.51						
324	1200	940	0.06	1203	0.10	<u>1604</u>	<u>0.18</u>	1928	0.27	2205	0.37	2677	0.57	3079	0.80				
378	1400	998	0.07	1251	0.12	1639	0.22	<u>1954</u>	<u>0.32</u>	<u>2227</u>	<u>0.43</u>	2694	0.65	3092	0.89	3446	1.15	3768	1.43
432	1600	1058	0.09	1303	0.14	1679	0.25	1986	0.37	<u>2253</u>	<u>0.48</u>	2715	0.73	3109	0.99	3460	1.26	3779	1.55
486	1800	1122	0.11	1359	0.17	1725	0.29	2023	0.42	2285	0.55	<u>2739</u>	<u>0.82</u>	3129	1.10	3477	1.39	3794	1.69
540	2000	1189	0.14	1417	0.21	1774	0.34	2065	0.47	2321	0.62	<u>2766</u>	<u>0.91</u>	3152	1.22	3497	1.53	3812	1.85
594	2200	1258	0.17	1478	0.24	1826	0.39	2111	0.54	2361	0.69	2798	1.00	<u>3178</u>	<u>1.33</u>	<u>3520</u>	<u>1.67</u>	<u>3832</u>	<u>2.02</u>
648	2400	1328	0.21	1540	0.29	1881	0.44	2160	0.60	2405	0.77	2834	1.11	<u>3208</u>	<u>1.45</u>	<u>3545</u>	<u>1.82</u>	<u>3855</u>	<u>2.19</u>
702	2600	1400	0.25	1605	0.34	1938	0.50	2211	0.67	2452	0.85	2872	1.21	3241	1.59	<u>3573</u>	<u>1.97</u>	<u>3880</u>	<u>2.36</u>
810	3000	1549	0.35	1740	0.46	2056	0.65	2321	0.84	2553	1.04	2960	1.45	3316	1.87	3640	2.30	<u>3938</u>	<u>2.73</u>
918	3400	1705	0.49	1881	0.60	2180	0.82	2436	1.03	2662	1.25	3056	1.71	3403	2.17	3717	2.65	4008	3.13
1026	3800	1867	0.65	2025	0.77	2310	1.02	2556	1.26	2776	1.50	3160	2.00	3498	2.51	3804	3.03	4087	3.57
1134	4200	2032	0.85	2174	0.98	2446	1.26	2681	1.59	2894	1.79	3270	2.33	3599	2.89	3899	3.46	4176	4.04
1242	4600	2200	1.09	2329	1.23	2585	1.53	2812	1.83	3017	2.12	3384	2.71	3706	3.30	3999	3.92	4276	4.54
1350	5000	2369	1.38	2488	1.52	2728	1.85	2946	2.18	3145	2.50	3501	3.13	3818	3.77	4105	4.43	4370	5.09
1458	5400	2540	1.71	2651	1.86	2873	2.21	3084	2.57	3276	2.92	3623	3.60	3933	4.28	4215	4.98	4476	5.70
1566	5800	2713	2.10	2815	2.26	3022	2.61	3225	3.01	3411	3.39	3748	4.12	4051	4.86	4329	5.60	4585	6.35
1674	6200	2886	2.54	2982	2.71	3175	3.07	3369	3.50	3549	3.91	3876	4.70	4172	5.48	4445	6.27		

Size 808N

Outlet Area: .22 sq. ft.

Wheel Dia.: 14"

Tip Speed: 3.67 x RPM

CFM	OV	STATIC PRESSURE (IN. W.G.)																	
		.5		1		2		4		6		8		10		12		14	
		RPM	BHP	RPM	BHP	RPM	BHP	RPM	BHP	RPM	BHP	RPM	BHP	RPM	BHP	RPM	BHP	RPM	BHP
132	600	714	0.02	<u>972</u>	<u>0.04</u>	1351	0.08												
154	700	734	0.02	<u>985</u>	<u>0.04</u>	1360	0.09	1902	0.19										
176	800	756	0.03	1001	0.05	1370	0.10	1908	0.21										
198	900	781	0.03	1019	0.06	<u>1381</u>	<u>0.11</u>	1915	0.23	2332	0.37								
220	1000	807	0.04	1040	0.06	<u>1395</u>	<u>0.12</u>	1924	0.25	2338	0.39	2691	0.55						
234	1200	863	0.05	1086	0.08	1428	0.15	1945	0.30	2354	0.45	2703	0.62	3013	0.81	3294	1.01		
308	1400	923	0.06	1137	0.10	1467	0.18	1970	0.34	2374	0.52	2719	0.70	3026	0.90	3305	1.10	3564	1.33
352	1600	986	0.08	1192	0.12	1513	0.21	2002	0.40	<u>2398</u>	<u>0.59</u>	2739	0.79	3043	1.00	3320	1.22	3576	1.45
396	1800	1052	0.11	1250	0.15	1562	0.25	2038	0.45	<u>2426</u>	<u>0.67</u>	<u>2763</u>	<u>0.89</u>	3064	1.12	3338	1.35	3592	1.59
440	2000	1121	0.13	1311	0.19	1614	0.29	2079	0.51	2459	0.75	<u>2789</u>	<u>0.98</u>	<u>3087</u>	<u>1.23</u>	3360	1.49	3612	1.75
484	2200	1192	0.17	1374	0.22	1669	0.34	2125	0.58	2496	0.83	<u>2820</u>	<u>1.09</u>	<u>3113</u>	<u>1.35</u>	<u>3383</u>	<u>1.63</u>	<u>3633</u>	<u>1.91</u>
528	2400	1265	0.20	1440	0.27	1726	0.39	2172	0.65	2536	0.92	2855	1.20	<u>3144</u>	<u>1.48</u>	<u>3409</u>	<u>1.77</u>	<u>3657</u>	<u>2.07</u>
572	2600	1339	0.24	1507	0.32	1785	0.45	2222	0.73	2580	1.02	2893	1.32	3177	1.92	<u>3439</u>	<u>1.93</u>	<u>3683</u>	<u>2.24</u>
660	3000	1494	0.35	1647	0.43	1908	0.59	2329	0.90	2675	1.23	2979	1.57	3254	1.91	3508	2.26	3746	2.61
748	3400	1655	0.49	1791	0.57	2038	0.76	2442	1.10	2778	1.47	3074	1.84	3341	2.23	3588	2.61	3820	3.01
836	3800	1819	0.66	1941	0.75	2173	0.96	2561	1.35	2887	1.74	3175	2.16	3436	2.57	3677	3.00	3903	3.43
924	4200	1986	0.87	2096	0.97	2313	1.19	2685	1.63	3001	2.06	3282	2.50	3537	2.96	3773	3.43	3994	3.89
1012	4600	2155	1.12	2256	1.22	2457	1.47	2814	1.93	3120	2.42	3394	2.90	3643	3.39	3874	3.89	4091	4.40
1100	5000	2325	1.42	2418	1.53	2604	1.78	2946	2.32	3243	2.83	3510	3.35	3754	3.87	3980	4.40	4193	4.95
1188	5400	2497	1.76	2583	1.88	2755	2.15	3082	2.73	3370	3.29	3630	3.85	3868	4.40	4091	4.97		
1276	5800	2669	2.17	2750	2.29	2909	2.57	3222	3.20	3500	3.80	3753	4.40	3986	5.00	4204	5.59		
1364	6200	2843	2.63	2918	2.76	3068	3.05	3364	3.71	3634	4.37	3880	5.01	4108	5.65				

Size 809N

Outlet Area: .24 sq. ft.

Wheel Dia.: 15.625"

Tip Speed: 4.09 x RPM

CFM	OV	STATIC PRESSURE (IN. W.G.)																	
		.5		1		2		4		6		8		10		12		14	
		RPM	BHP	RPM	BHP	RPM	BHP	RPM	BHP	RPM	BHP	RPM	BHP	RPM	BHP	RPM	BHP	RPM	BHP
144	600	644	0.02	<u>874</u>	<u>0.04</u>	1213	0.08												
168	700	664	0.02	<u>887</u>	<u>0.05</u>	1221	0.10	1706	0.21										
192	800	686	0.03	903	0.05	1231	0.11	1712	0.23										
216	900	709	0.03	920	0.06	<u>1243</u>	<u>0.12</u>	1719	0.25	2092	0.39								
240	1000	734	0.04	941	0.07	<u>1256</u>	<u>0.13</u>	1728	0.27	2098	0.42	2413	0.59						
288	1200	788	0.06	986	0.09	1288	0.16	1749	0.32	2114	0.49	2426	0.67	2702	0.87	2954	1.08		
336	1400	845	0.07	1035	0.11	1327	0.20	1774	0.38	2134	0.57	2442	0.77	2716	0.97	2966	1.19	3196	1.42
384	1600	906	0.10	1088	0.14	1372	0.24	1805	0.44	<u>2157</u>	<u>0.64</u>	2462	0.87	2734	1.09	2981	1.32	3210	1.57
432	1800	969	0.12	1143	0.17	1419	0.28	1841	0.50	2185	0.73	2485	0.97	2754	1.22	2999	1.47	3226	1.73
480	2000	1035	0.15	1201	0.21	1469	0.32	1882	0.57	2218	0.82	2512	1.08	2777	1.35	3020	1.62	3245	1.90
528	2200	1102	0.19	1262	0.26	1521	0.38	1926	0.64	2254	0.91	2542	1.19						

Furnish and install as shown on the plans and specifications, Twin City Fan & Blower Model JRW Industrial Fans.

FAN HOUSINGS — All housings shall be continuously welded and of heavy-gauge steel suitably braced to prevent pulsation. All units shall be built with adjustable discharge housing which can be field-rotated to any of the eight standard positions.

FAN WHEELS — The wheels shall be cast nickel/aluminum/bronze or cast aluminum. JRW radial-bladed backplate type construction is suitable for long, stringy, fibrous materials, or solid particles.

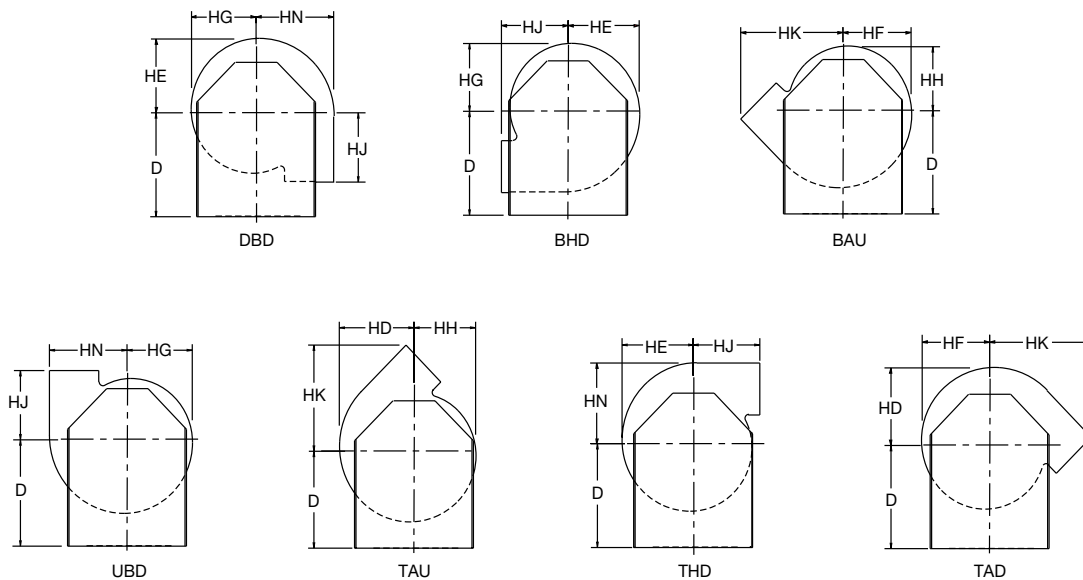
BEARINGS — Bearings on belt drive units shall be sized and selected to have a minimum average life of 200,000 hours based on AFMBA rating designations. The bearings shall be pillow block type, heavy-duty anti-friction, self-aligning ball bearings designated for air-handling (AH) duty.

SHAFTS — Shafting shall be per AISI C-1018, 1040, or 1045 hot rolled steel, accurately turned, ground, polished and ring-gauged for accuracy. Shafts shall be sized so that their first critical speed will be at least 1.35 times the maximum operating speed.

ACCESSORIES — Accessories, such as outlet dampers, companion inlet and outlet flanges, inlet bells, shaft guards, etc., shall be provided by the fan manufacturer maintaining one-source responsibility.

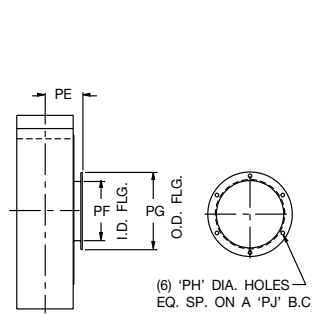
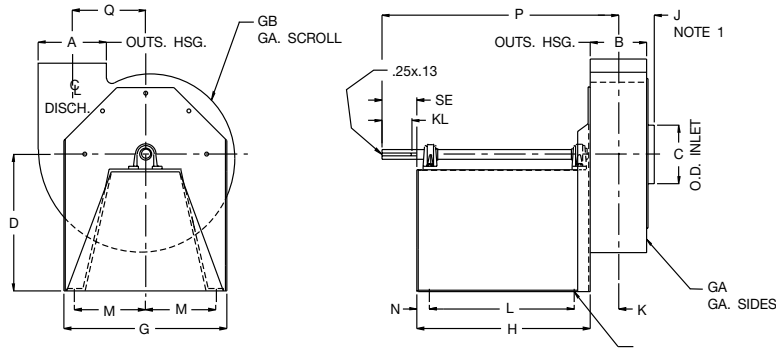
FACTORY TEST RUN UNITS — Prior to shipment, all fans shall be completely assembled, test run and trim balanced as a unit at operating speed or at the maximum allowable RPM. Balance shall be taken by electronic type equipment, and records shall be maintained of the readings of axial, vertical, and horizontal direction on each of the bearings. A written copy of this record shall be available upon request by the customer.

FAN DISCHARGE OPTIONS

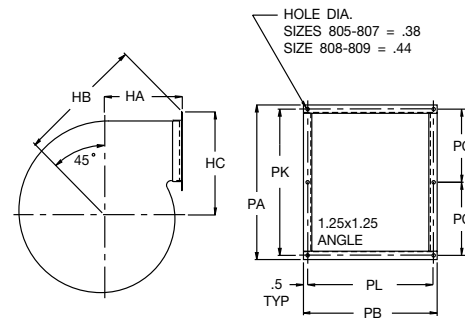


SIZE	D		HA	HB	HC	HD	HE	HF		HG	HH	HJ	HK	HN
	ARR. 1, 4 & 9	ARR. 10						ARR. 1, 4 & 9	ARR. 10					
805F	11.25	14.50	9.50	13.00	8.81	7.25	6.94	6.63	6.63	6.31	5.38	9.00	11.75	7.56
806N	13.50	14.50	9.50	14.00	10.31	8.69	8.31	7.94	7.94	7.56	7.19	9.00	12.81	9.06
806F	13.50	14.50	9.50	14.00	10.31	8.69	8.31	7.94	7.94	7.56	7.19	9.00	12.81	9.06
807N	13.50	14.50	9.50	15.13	11.81	10.13	9.69	9.25	9.25	8.81	8.38	9.00	13.88	10.56
807F	13.50	14.50	9.50	15.13	11.81	10.13	9.69	9.25	9.25	8.81	8.38	9.00	13.88	10.56
808N	13.75	17.75	11.00	17.25	13.31	11.56	11.06	10.56	10.31	10.06	9.56	10.50	16.00	12.06
809N	15.50	17.75	11.00	18.25	14.75	12.93	12.38	11.81	11.81	11.25	10.69	10.50	17.00	13.50

Arrangement 1



OPTIONAL INLET FLANGE



OPTIONAL OUTLET FLANGE

Note:

1. CW rotation is shown, CCW rotation is similar but opposite.

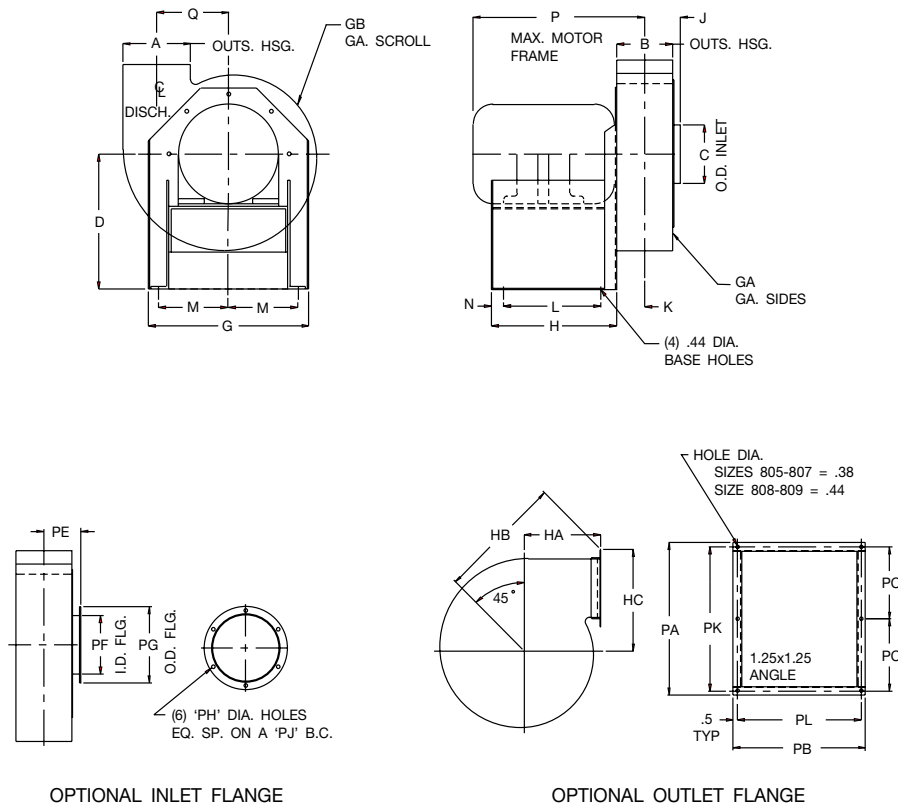
SIZE	A	B	C	D	G	GA	GB	H	J	K	L	M	N	P	Q	HA	HB	HC
805F	4.88	4.50	5	11.25	11.50	12	12	14.00	3.88	3.75	11.50	4.88	1	18.75	5.13	9.50	13.00	8.81
806N	5.88	4.31	6	13.50	13.50	12	12	17.38	3.81	3.69	14.88	5.88	1	22.56	6.13	9.50	14.00	10.31
806F	5.88	5.25	6	13.50	13.50	12	12	17.38	4.25	4.13	14.88	5.88	1	23.00	6.13	9.50	14.00	10.31
807N	6.81	4.31	7	13.50	16.00	12	12	17.38	3.81	3.69	14.88	7.13	1	22.56	7.13	9.50	15.13	11.81
807F	6.81	6.06	7	13.50	16.00	12	12	17.38	4.69	4.56	14.88	7.13	1	23.44	7.13	9.50	15.13	11.81
808N	7.75	4.31	8	13.75	19.00	12	12	17.38	3.81	3.69	14.88	8.63	1	22.56	8.19	11.00	17.25	13.31
809N	8.63	4.31	9	15.50	19.00	12	12	17.75	3.81	3.69	15.25	8.63	1	23.56	9.19	11.00	18.25	14.75

SIZE	SE	KL	MAX. MTR. FR.	SHFT. DIA.	PA	PB	PC	PE	PF	PG	PH	PJ	PK	PL
805F	2.50	2.50	143T	1	7.38	7.00	—	4.00	5.06	7.06	.28	6.31	6.38	6.00
806N	3.00	3.00	145T	1	8.38	6.81	—	3.94	6.09	8.09	.28	7.31	7.38	5.81
806F	3.00	3.00	182T	1	8.38	7.75	—	4.38	6.09	8.09	.28	7.31	7.38	6.75
807N	3.00	3.00	182T	1.187	9.31	6.81	—	3.94	7.13	9.38	.38	8.50	8.31	5.81
807F	3.00	3.00	184T	1.187	9.31	8.56	—	4.81	7.13	9.38	.38	8.50	8.31	7.56
808N	3.00	3.00	184T	1.187	10.25	6.81	4.63	3.94	8.13	10.38	.38	9.56	9.25	5.81
809N	3.63	3.38	213T	1.187	11.13	6.81	5.06	3.94	9.13	11.63	.44	10.63	10.13	5.81

AC13403B

DIMENSIONS NOT TO BE USED FOR CONSTRUCTION. CERTIFIED DRAWINGS AVAILABLE UPON REQUEST.

Arrangement 4



OPTIONAL INLET FLANGE

OPTIONAL OUTLET FLANGE

Note:

1. CW rotation is shown, CCW rotation is similar but opposite.

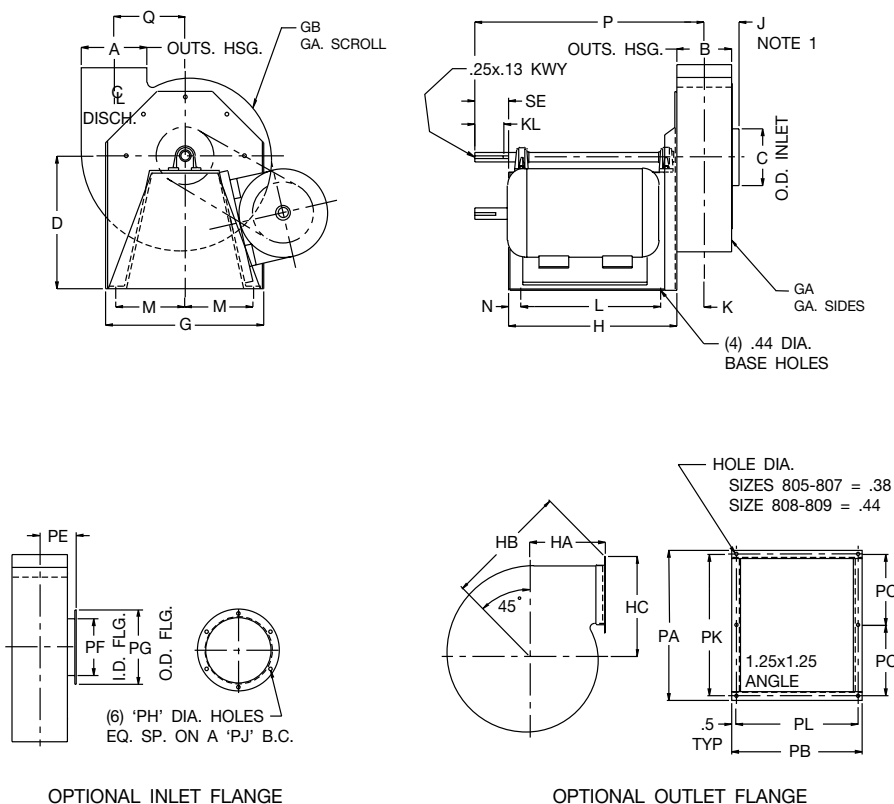
SIZE	A	B	C	D	G	GA	GB	H	J	K	L	M	N	P	Q	HA	HB	HC
805F	4.88	4.50	5	11.25	11.50	12	12	7.50	3.88	3.75	5.00	5.00	.56	14.38	5.13	9.50	13.00	8.81
806N	5.88	4.31	6	13.50	13.50	12	12	8.50	3.81	3.69	6.00	6.00	.56	14.25	6.13	9.50	14.00	10.31
806F	5.88	5.25	6	13.50	13.50	12	12	8.50	4.25	4.13	6.00	6.00	.56	18.13	6.13	9.50	14.00	10.31
807N	6.81	4.31	7	13.50	16.00	12	12	9.75	3.81	3.69	7.25	7.25	.56	17.63	7.13	9.50	15.13	11.81
807F	6.81	6.06	7	13.50	16.00	12	12	9.75	4.69	4.56	7.25	7.25	.56	18.50	7.13	9.50	15.13	11.81
808N	7.75	4.31	8	13.75	19.00	12	12	11.00	3.81	3.69	8.50	8.75	.56	17.63	8.19	11.00	17.25	13.31
809N	8.63	4.31	9	15.50	19.00	12	12	11.00	3.81	3.69	8.50	8.75	.56	18.50	9.19	11.00	18.25	14.75

SIZE	PA	PB	PC	PE	PF	PG	PH	PJ	PK	PL	MAX. MTR. FR.
805F	7.38	7.00	—	4.00	5.06	7.06	.28	6.31	6.38	6.00	143T
806N	8.38	6.81	—	3.94	6.09	8.09	.28	7.31	7.38	5.81	143T
806F	8.38	7.75	—	4.38	6.09	8.09	.28	7.31	7.38	6.75	182T
807N	9.31	6.81	—	3.94	7.13	9.38	.38	8.50	8.31	5.81	182T
807F	9.31	8.56	—	4.81	7.13	9.38	.38	8.50	8.31	7.56	184T
808N	10.25	6.81	4.63	3.94	8.13	10.38	.38	9.56	9.25	5.81	184T
809N	11.13	6.81	5.06	3.94	9.13	11.63	.44	10.63	10.13	5.81	213T

AC13399B

DIMENSIONS NOT TO BE USED FOR CONSTRUCTION. CERTIFIED DRAWINGS AVAILABLE UPON REQUEST.

Arrangement 9



Note:

1. CW rotation is shown, CCW rotation is similar but opposite, except motor always mounted on right side on Arr. 9.

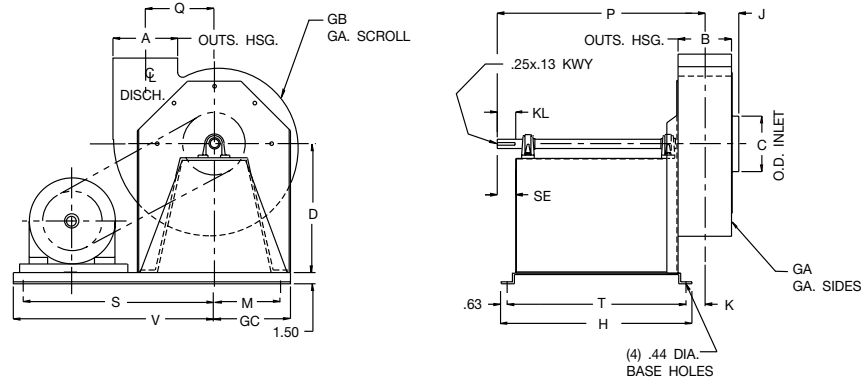
SIZE	A	B	C	D	G	GA	GB	H	J	K	L	M	N	P	Q	HA	HB	HC
805F	4.88	4.50	5	11.25	11.50	12	12	14.00	3.88	3.75	11.50	4.88	1.00	18.75	5.13	9.50	13.00	8.81
806N	5.88	4.31	6	13.50	13.50	12	12	17.38	3.81	3.69	14.88	5.88	1.00	22.56	6.13	9.50	14.00	10.31
806F	5.88	5.25	6	13.50	13.50	12	12	17.38	4.25	4.13	14.88	5.88	1.00	23.00	6.13	9.50	14.00	10.31
807N	6.81	4.31	7	13.50	16.00	12	12	17.38	3.81	3.69	14.88	7.13	1.00	22.56	7.13	9.50	15.13	11.81
807F	6.81	6.06	7	13.50	16.00	12	12	17.38	4.69	4.56	14.88	7.13	1.00	23.44	7.13	9.50	15.13	11.81
808N	7.75	4.31	8	13.75	19.00	12	12	17.38	3.81	3.69	14.88	8.63	1.00	22.56	8.63	11.00	17.25	13.31
809N	8.63	4.31	9	15.50	19.00	12	12	17.75	3.81	3.69	15.25	8.63	1.00	23.56	8.63	11.00	18.25	14.75

SIZE	SE	KL	MAX. MTR. FR.	SHFT. DIA.	PA	PB	PC	PE	PF	PG	PH	PJ	PK	PL
805F	2.50	2.50	143T	1.000	7.38	7.00	—	4.00	5.06	7.06	0.28	6.31	6.38	6.00
806N	3.00	3.00	145T	1.000	8.38	6.81	—	3.94	6.09	8.09	0.28	7.31	7.38	5.81
806F	3.00	3.00	182T	1.000	8.38	7.75	—	4.38	6.09	8.09	0.28	7.31	7.38	6.75
807N	3.00	3.00	182T	1.187	9.31	6.81	—	3.94	7.13	9.38	0.38	8.50	8.31	5.81
807F	3.00	3.00	184T	1.187	9.31	8.56	—	4.81	7.13	9.38	0.38	8.50	8.31	7.56
808N	3.00	3.00	184T	1.187	10.25	6.81	4.63	3.94	8.13	10.38	0.38	9.56	9.25	5.81
809N	3.63	3.38	213T	1.187	11.13	6.81	5.06	3.94	9.13	11.63	0.44	10.63	10.13	5.81

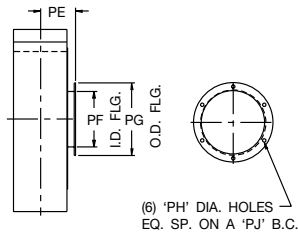
AC13402B

DIMENSIONS NOT TO BE USED FOR CONSTRUCTION. CERTIFIED DRAWINGS AVAILABLE UPON REQUEST.

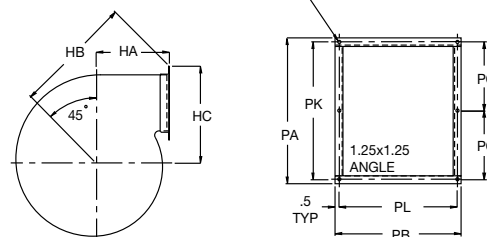
Arrangement 9F



CLOCKWISE ROTATION, UPBLAST DISCHARGE 'CW UBD'
MOTOR LOCATION 'L' (LEFT) SHOWN. SEE NOTE 2.



OPTIONAL INLET FLANGE



OPTIONAL OUTLET FLANGE

Notes:

1. CW rotation is shown, CCW rotation is similar but opposite.
2. Standard Arr. 9F motor location is on the left for 'CW' rotation units and on the right for 'CCW' rotation units (unless otherwise specified).

SIZE	A	B	C	D	G	GA	GB	H	J	K	L	M	N	P	Q	S	T
805F	4.88	4.50	5	11.25	11.50	12	12	17.00	3.88	1.38	11.50	4.88	1.00	18.75	5.13	18.25	15.75
806N	5.88	4.31	6	13.50	13.50	12	12	20.38	3.81	1.31	14.88	5.88	1.00	22.56	6.13	21.38	19.13
806F	5.88	5.25	6	13.50	13.50	12	12	20.38	4.25	1.75	14.88	5.88	1.00	23.00	6.13	21.38	19.13
807N	6.81	4.31	7	13.50	16.00	12	12	20.38	3.81	1.31	14.88	7.13	1.00	22.56	7.13	22.63	19.13
807F	6.81	6.06	7	13.50	16.00	12	12	20.38	4.69	2.19	14.88	7.13	1.00	23.44	7.13	22.63	19.13
808N	7.75	4.31	8	13.75	19.00	12	12	20.38	3.81	1.31	14.88	8.63	1.00	22.56	8.19	24.13	19.13
809N	8.63	4.31	9	15.50	19.00	12	12	20.75	3.81	1.31	15.25	8.63	1.00	23.56	8.19	27.25	19.38

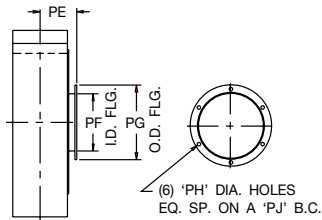
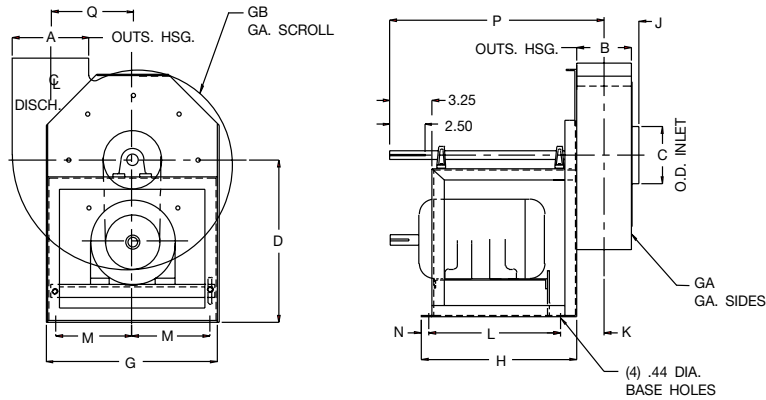
SIZE	V	GC	HA	HB	HC	SE	KL	MAX. MTR. FR.	SHFT. DIA.	PA	PB	PC	PE	PF	PG
805F	19.25	5.75	9.50	13.00	8.81	2.50	2.50	143T	1.000	7.38	7.00	—	4.00	5.06	7.06
806N	22.38	6.75	9.50	14.00	10.31	3.00	3.00	145T	1.000	8.38	6.81	—	3.94	6.09	8.09
806F	22.38	6.75	9.50	14.00	10.31	3.00	3.00	182T	1.000	8.38	7.75	—	4.38	6.09	8.09
807N	23.63	8.00	9.50	15.13	11.81	3.00	3.00	182T	1.187	9.31	6.81	—	3.94	7.13	9.38
807F	23.63	8.00	9.50	15.13	11.81	3.00	3.00	184T	1.187	9.31	8.56	—	4.81	7.13	9.38
808N	25.13	9.50	11.00	17.25	13.31	3.00	3.00	184T	1.187	10.25	6.81	4.63	3.94	8.13	10.38
809N	28.25	9.50	11.00	18.25	14.75	3.63	3.38	213T	1.187	11.13	6.81	5.06	3.94	9.13	11.63

SIZE	PH	PJ	PK	PL
805F	0.28	6.31	6.38	6.00
806N	0.28	7.31	7.38	5.81
806F	0.28	7.31	7.38	6.75
807N	0.38	8.50	8.31	5.81
807F	0.38	8.50	8.31	7.56
808N	0.38	9.56	9.25	5.81
809N	0.44	10.63	10.13	5.81

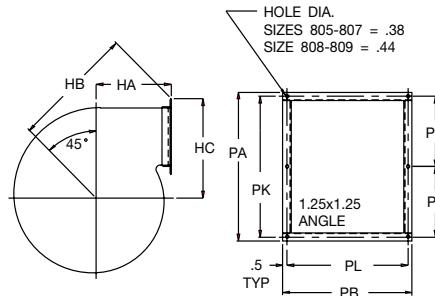
DIMENSIONS NOT TO BE USED FOR CONSTRUCTION.
CERTIFIED DRAWINGS AVAILABLE UPON REQUEST.

AC13400D

Arrangement 10



OPTIONAL INLET FLANGE



OPTIONAL OUTLET FLANGE

Note:

1. CW rotation is shown, CCW rotation is similar but opposite.

SIZE	A	B	C	D	G	GA	GB	H	J	K	L	M	N	P	Q	HA	HB	HC
805F	4.88	4.50	5	14.50	16.00	12	12	13.44	3.88	3.13	12.00	6.75	0.56	17.63	5.13	9.50	13.00	8.81
806N	5.88	4.31	6	14.50	16.00	12	12	13.44	3.81	3.06	12.00	6.75	0.56	17.56	6.13	9.50	14.00	10.31
806F	5.88	5.25	6	14.50	16.00	12	12	13.44	4.25	3.50	12.00	6.75	0.56	18.00	6.13	9.50	14.00	10.31
807N	6.81	4.31	7	14.50	16.00	12	12	13.44	3.81	3.06	12.00	6.75	0.56	17.63	7.13	9.50	15.13	11.81
807F	6.81	6.06	7	14.50	16.00	12	12	13.44	4.69	3.94	12.00	6.75	0.56	18.44	7.13	9.50	15.13	11.81
808N	7.75	4.31	8	17.75	19.00	12	12	15.19	3.81	3.06	13.88	8.25	0.44	19.31	8.19	11.00	17.25	13.31
809N	8.63	4.31	9	17.75	19.00	12	12	15.19	3.81	3.06	13.88	8.25	0.44	19.31	9.19	11.00	18.25	14.75

SIZE	PA	PB	PC	PE	PF	PG	PH	PJ	PK	PL	SHFT. DIA.	SHFT. KWY.	MAX. MTR. FR.
805F	7.38	7.00	—	4.00	5.06	7.06	0.28	6.31	6.38	6.00	1.000	.25x.13	145T
806N	8.38	6.81	—	3.94	6.09	8.09	0.28	7.31	7.38	5.81	1.000	.25x.13	145T
806F	8.38	7.75	—	4.38	6.09	8.09	0.28	7.31	7.38	6.75	1.000	.25x.13	145T
807N	9.31	6.81	—	3.94	7.13	9.38	0.38	8.50	8.31	5.81	1.187	.25x.13	145T
807F	9.31	8.56	—	4.81	7.13	9.38	0.38	8.50	8.31	7.56	1.187	.25x.13	145T
808N	10.25	6.81	4.63	3.94	8.13	10.38	0.38	9.56	9.25	5.81	1.187	.25x.13	184T
809N	11.13	6.81	5.06	3.94	9.13	11.63	0.44	10.63	10.13	5.81	1.187	.25x.13	184T

AC13401B

DIMENSIONS NOT TO BE USED FOR CONSTRUCTION. CERTIFIED DRAWINGS AVAILABLE UPON REQUEST.

INDUSTRIAL PROCESS AND COMMERCIAL VENTILATION SYSTEMS

CENTRIFUGAL FANS | UTILITY SETS | PLENUM & PLUG FANS | INLINE CENTRIFUGAL FANS
MIXED FLOW FANS | TUBEAXIAL & VANEAXIAL FANS | PROPELLER WALL FANS | PROPELLER ROOF VENTILATORS
CENTRIFUGAL ROOF & WALL EXHAUSTERS | CEILING VENTILATORS | GRAVITY VENTILATORS | DUCT BLOWERS
RADIAL BLADED FANS | RADIAL TIP FANS | HIGH EFFICIENCY INDUSTRIAL FANS | PRESSURE BLOWERS
LABORATORY EXHAUST FANS | FILTERED SUPPLY FANS | MANCOOLERS | FIBERGLASS FANS | CUSTOM FANS



TWIN CITY FAN & BLOWER
WWW.TCF.COM

5959 TRENTON LANE N | MINNEAPOLIS, MN 55442 | PHONE: 763-551-7600 | FAX: 763-551-7601

©2018 Twin City Fan Companies, Ltd., Minneapolis, MN. All rights reserved. Catalog illustrations cover the general appearance of Twin City Fan & Blower products at the time of publication and we reserve the right to make changes in design and construction at any time without notice.